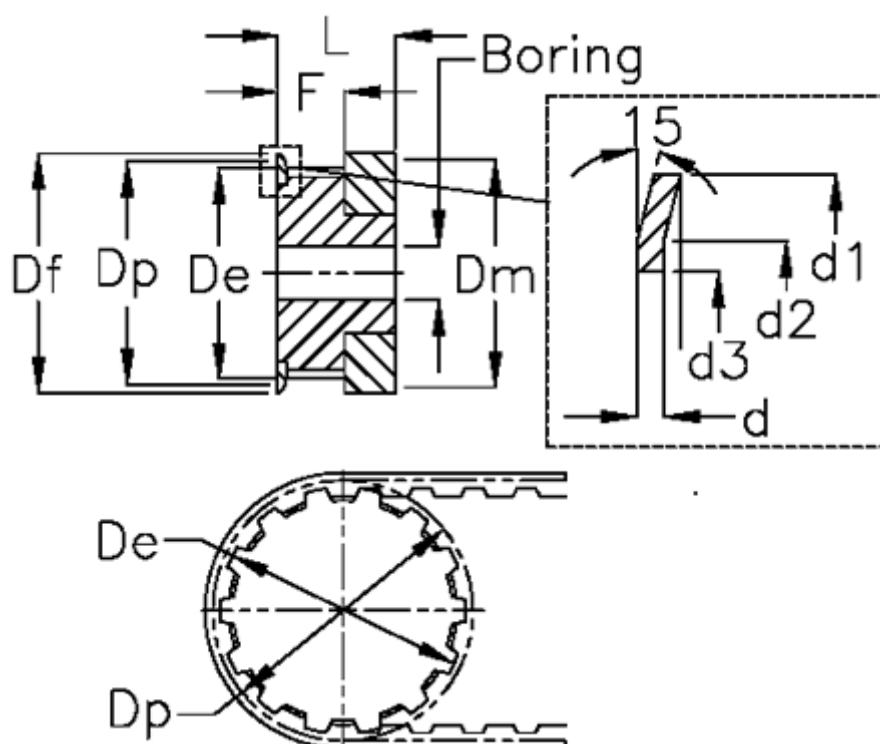


Article number: 604140015015

Description: Timing belt pulley with hub  
HTD 15 3M 15

## Measures



Bore = 4	Dp = 14.32
d = 0.5	F = 17
d1 = 17.5	Flange type = F04
d2 = 14.5	L = 26
d3 = 11.6	Tooth number = 15
De = 13.56	Type = 3M
Df = 17.5	Weight = 0.012
Dm = 17.5	Width = 15